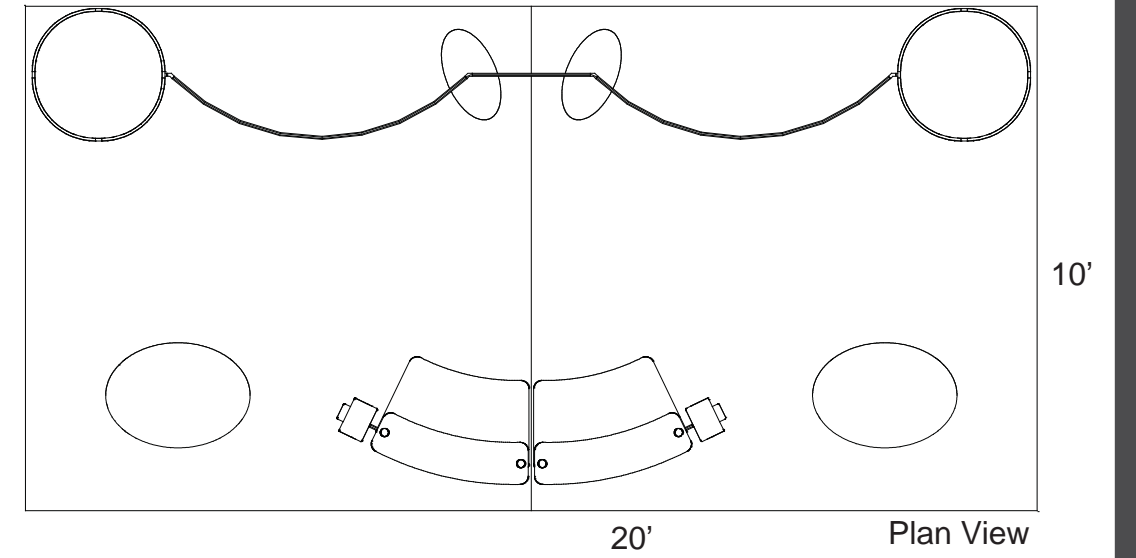
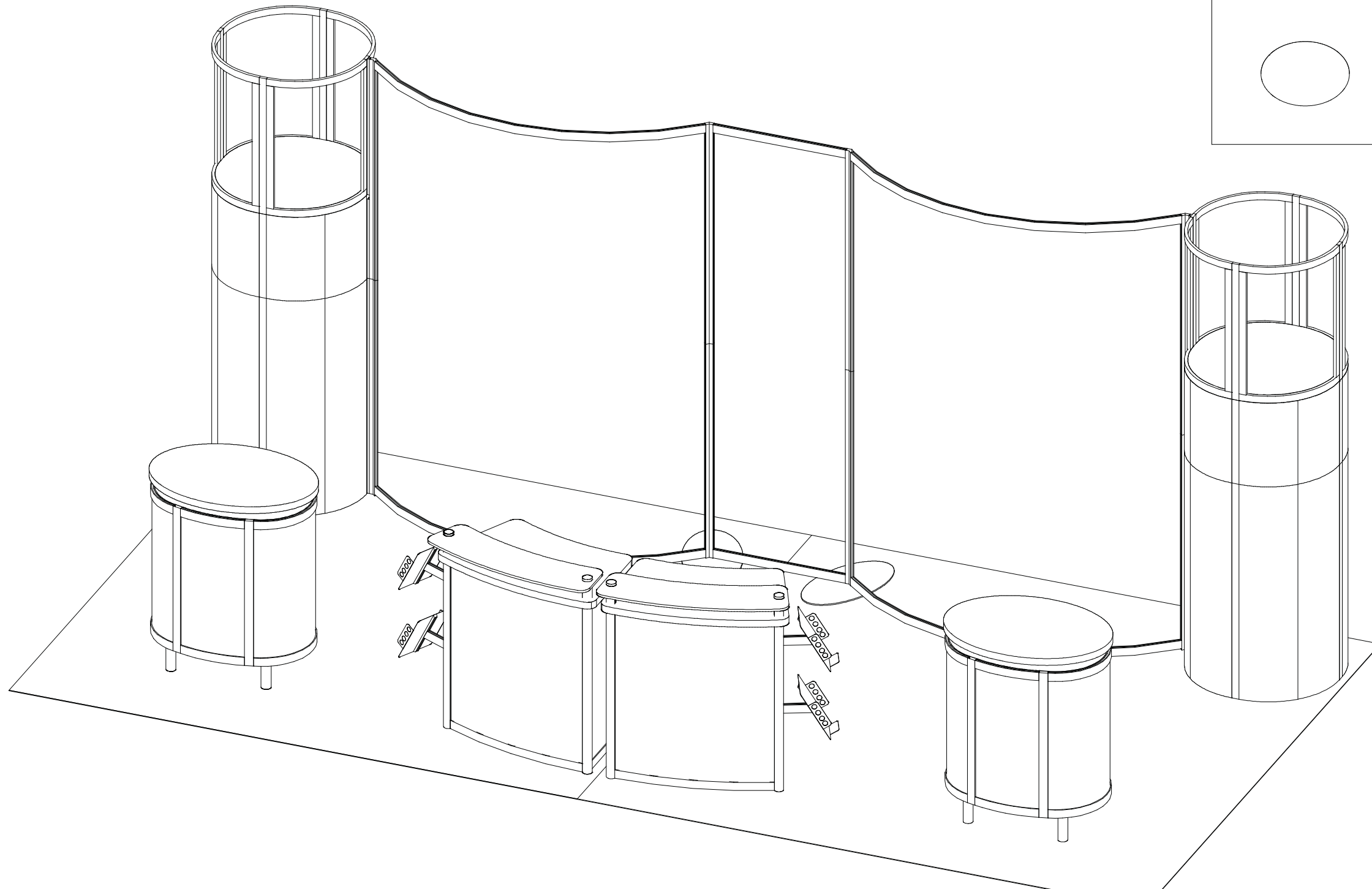


# euro It | HYBRIDS



WHEN DISASSEMBLING ALUMINUM EXTRUSION, TIGHTEN ALL SETSCREWS AND LOCKS TO PREVENT LOSS DURING SHIPPING

# euro lt | HYBRIDS

## Using Your Setup Instructions

The Euro LT Hybrids Setup Instructions are created specifically for your configuration. They are laid out sequentially in levels, including exploded views, and a logical series of detailed steps to assemble the main structure and components. We encourage you to study the instructions **before** attempting to assemble your exhibit.

Each page reminds you to tighten the setscrews after disassembling your exhibit to prevent loss of the locks and setscrews (see below in RED). This is VERY IMPORTANT.

## Cleaning and Packing Your Display

- 1) Use care when cleaning aluminum extrusion or acrylic inserts. Use only non-abrasive cleaners.
- 2) When cleaning laminate inserts, countertops, or panels use mild cleansers and a soft material such as cotton.
- 3) Keep all display components away from extreme heat and long exposure to sunlight to avoid warping and fading.
- 4) Retain all packing material. It will make re-packing much easier and will reduce the likelihood of shipping damage.

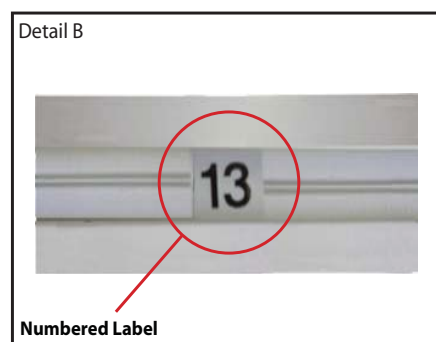
## General Setup Instructions for Extrusion System



Most exhibits can be assembled with the supplied Hex Key Tool. Occasionally, a flat head screwdriver may be required.



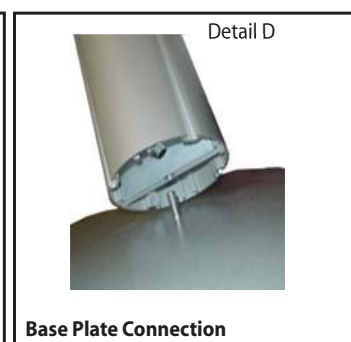
Most horizontal extrusion connections have a patented expandable lock. This lock inserts into the groove of an opposing extrusion. Tightening the lock with the Hex Key Tool expands the lock and creates a strong positive connection.



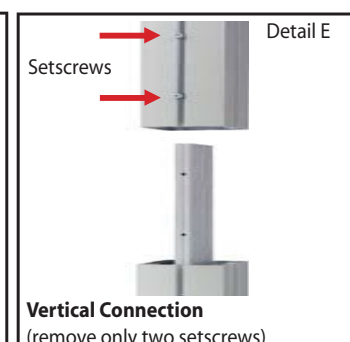
Each extrusion contains a numbered label which corresponds with setup instructions. The label is located within a groove of the extrusion (when possible). With extrusion components the labels contain Black numbers unless otherwise specified.



Remove only (1) setscrew when disassembling. Replace setscrew in extrusion after assembling it. Before packing, replace setscrew in extrusion to avoid losing it.

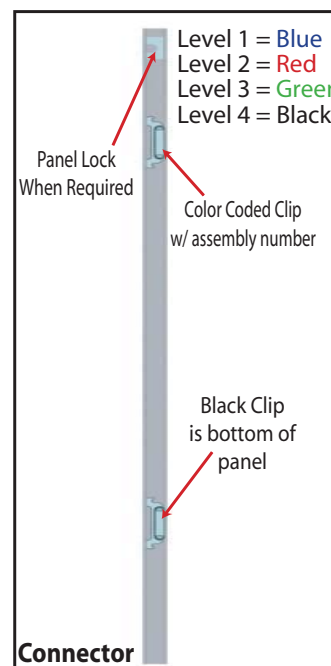


Attach base plate to round or square vertical extrusion using the bolt provided. Be careful not to strip the threads.

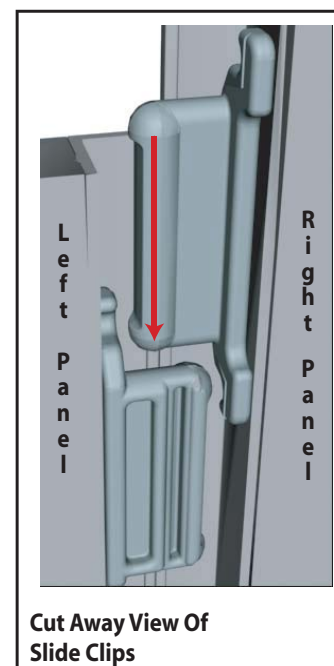


When vertical extrusions are packed in portable cases rather than crates or tubs, they must be broken down into smaller section which then require assembly.

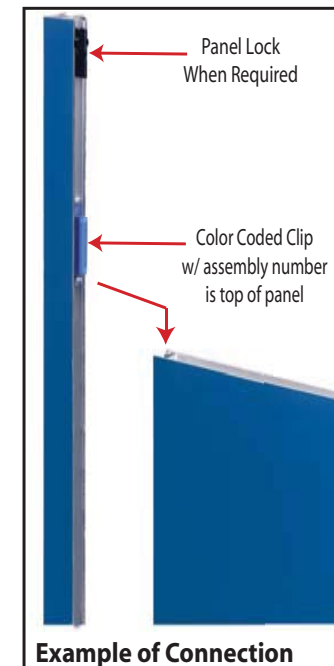
Remove only (2) setscrews when disassembling. Replace setscrews in extrusion after assembling it. Before packing, replace setscrews in extrusion to avoid losing them.



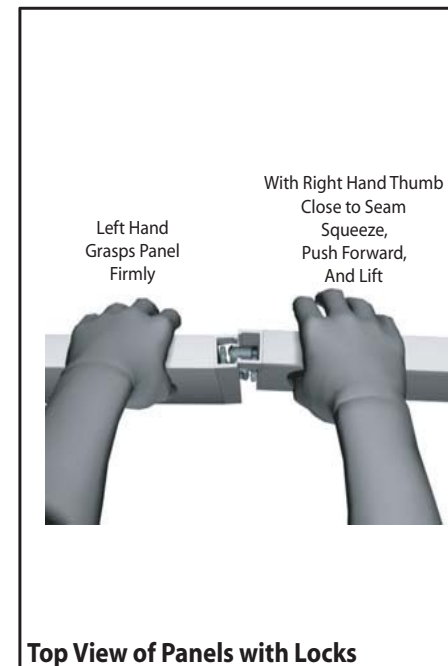
Each component has 2 clips, the lower clip is ALWAYS black. The top clip is color coded to distinguish which level. The color coded clip also contains the numbered label.



Components connect together by aligning them and sliding downward connecting clips together.



Configurations are assembled from left to right, usually starting with #1 and following the numbered sequence.

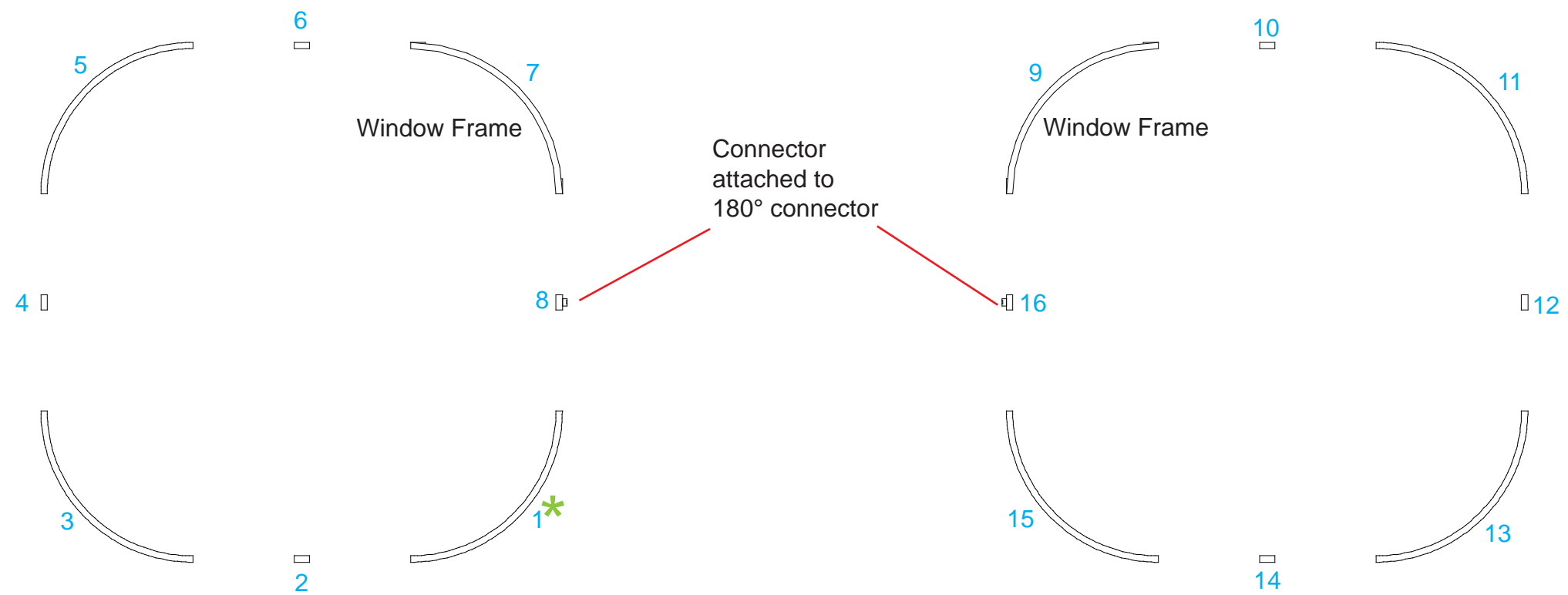


The first level of components contain panel locks that are located at the top of the panel for extra stability and seamless connection. When disassembling panels twist top connection slightly and lift right panel upward.

**WHEN DISASSEMBLING ALUMINUM EXTRUSION, TIGHTEN ALL SETSCREWS AND LOCKS TO PREVENT LOSS DURING SHIPPING**

Level 1	
Item Number	Description
1	47.5"h x 15"r Curve Panel
2	47.5"h 180° Connector
3	47.5"h x 15"r Curve Panel
4	47.5"h 180° Connector
5	47.5"h x 15"r Curve Panel
6	47.5"h 180° Connector
7	47.5"h x 15"r Window Frame
8	47.5"h 180° Connector
9	47.5"h x 15"r Window Frame
10	47.5"h 180° Connector
11	47.5"h x 15"r Curve Panel
12	47.5"h 180° Connector
13	47.5"h x 15"r Curve Panel
14	47.5"h 180° Connector
15	47.5"h x 15"r Curve Panel
16	47.5"h 180° Connector

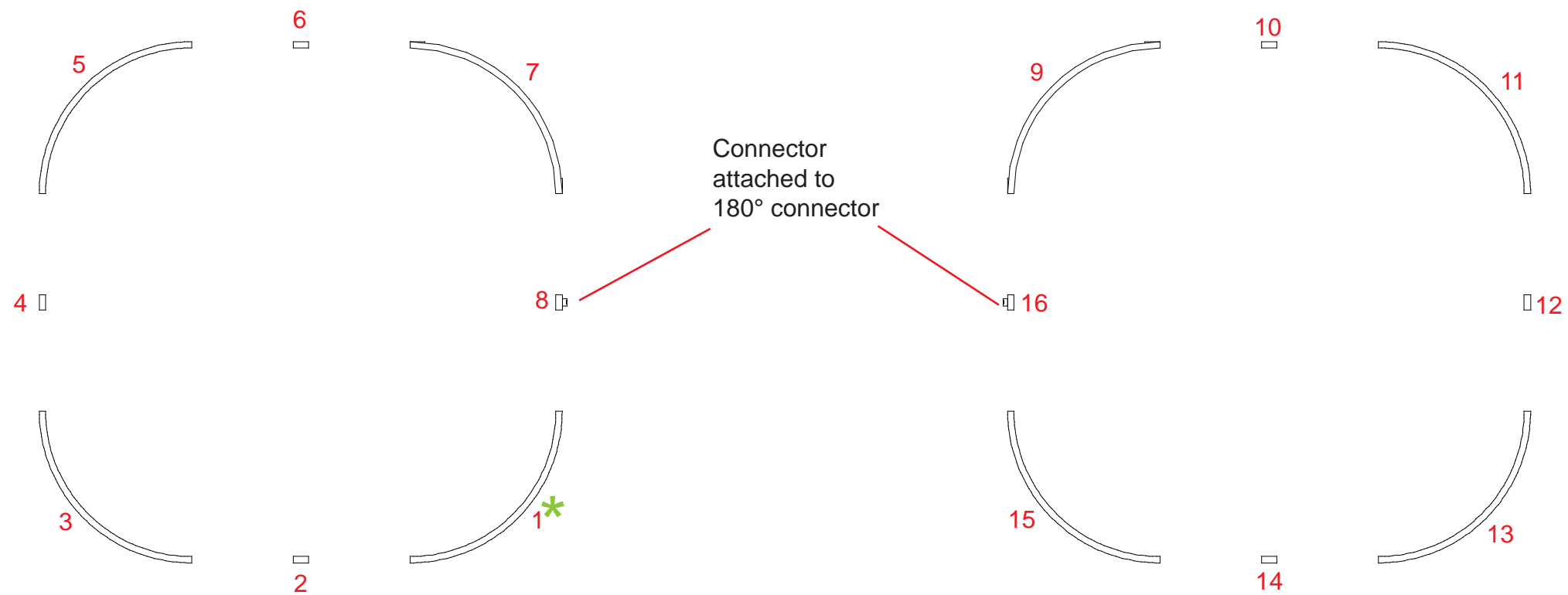
Steps:  
 Assemble panels together by starting at panel #1\* and continue in numerical order.



**WHEN DISASSEMBLING ALUMINUM EXTRUSION, TIGHTEN ALL SETSCREWS AND LOCKS TO PREVENT LOSS DURING SHIPPING**

Level 2	
Item Number	Description
1	18.5"h x 15"r Curve Panel
2	18.5"h 180° Connector
3	18.5"h x 15"r Curve Panel
4	18.5"h 180° Connector
5	18.5"h x 15"r Curve Panel
6	18.5"h 180° Connector
7	18.5"h x 15"r Curve Panel
8	18.5"h 180° Connector
9	18.5"h x 15"r Curve Panel
10	18.5"h 180° Connector
11	18.5"h x 15"r Curve Panel
12	18.5"h 180° Connector
13	18.5"h x 15"r Curve Panel
14	18.5"h 180° Connector
15	18.5"h x 15"r Curve Panel
16	18.5"h 180° Connector

Steps:  
 Assemble panels together by starting at panel #1\* and continue in numerical order.



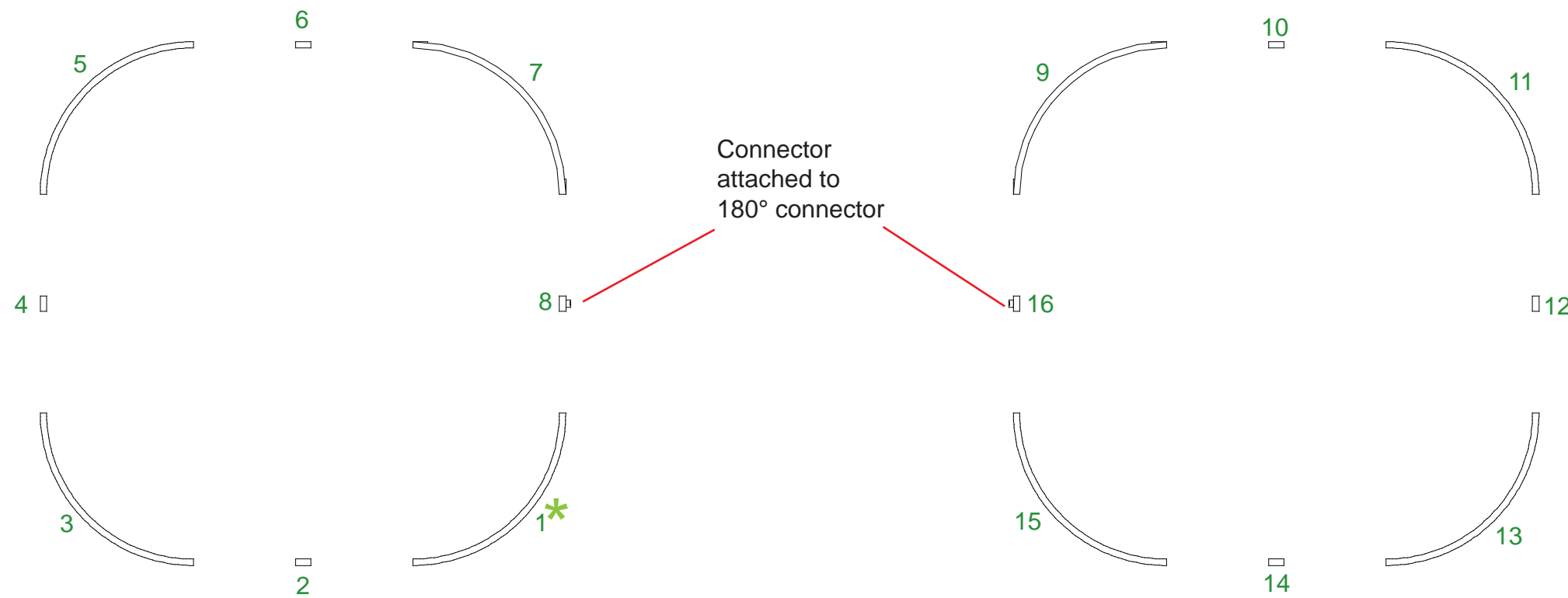
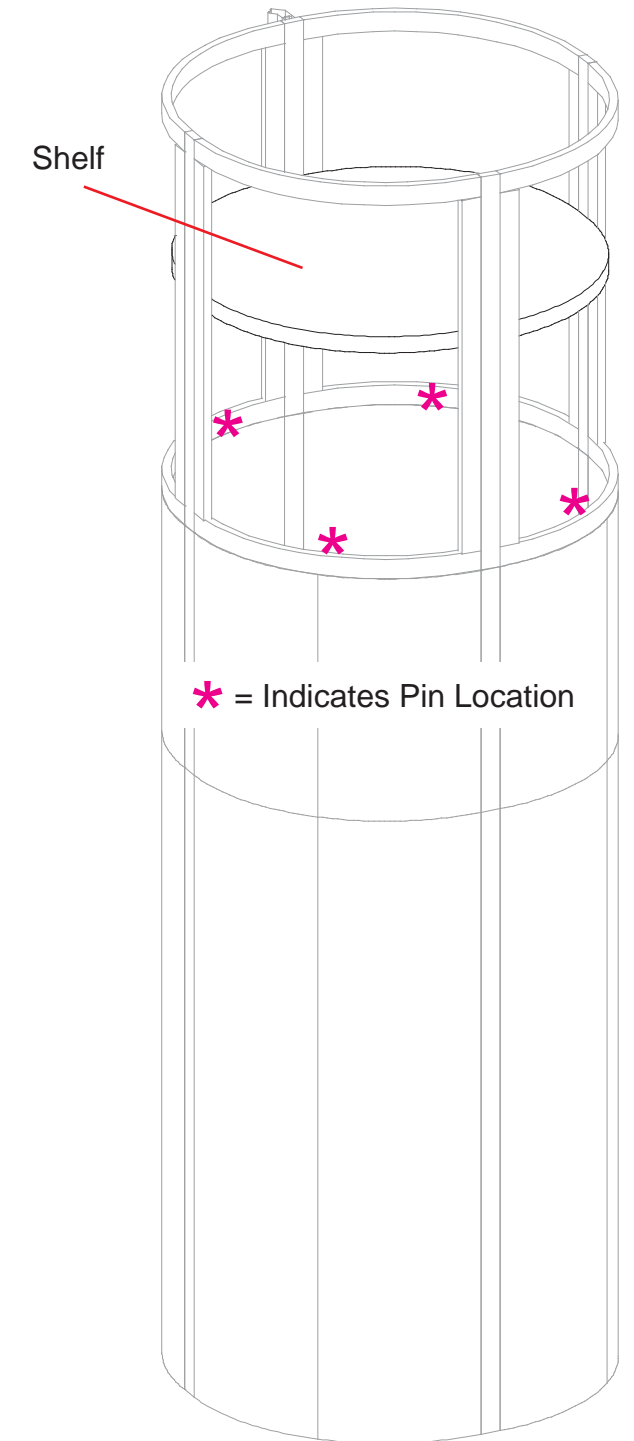
WHEN DISASSEMBLING ALUMINUM EXTRUSION, TIGHTEN ALL SETSCREWS AND LOCKS TO PREVENT LOSS DURING SHIPPING

Level 3

Item Number	Description
1	30"h x 15"r Window Frame w/ Perforated Metal Insert
2	30"h 180° Connector
3	30"h x 15"r Window Frame w/ Perforated Metal Insert
4	30"h 180° Connector
5	30"h x 15"r Window Frame w/ Perforated Metal Insert
6	30"h 180° Connector
7	30"h x 15"r Window Frame w/ Perforated Metal Insert
8	30"h 180° Connector
9	30"h x 15"r Window Frame w/ Perforated Metal Insert
10	30"h 180° Connector
11	30"h x 15"r Window Frame w/ Perforated Metal Insert
12	30"h 180° Connector
13	30"h x 15"r Window Frame w/ Perforated Metal Insert
14	30"h 180° Connector
15	30"h x 15"r Window Frame w/ Perforated Metal Insert
16	30"h 180° Connector

Steps:  
 Assemble panels together by starting at panel #1\* and continue in numerical order.

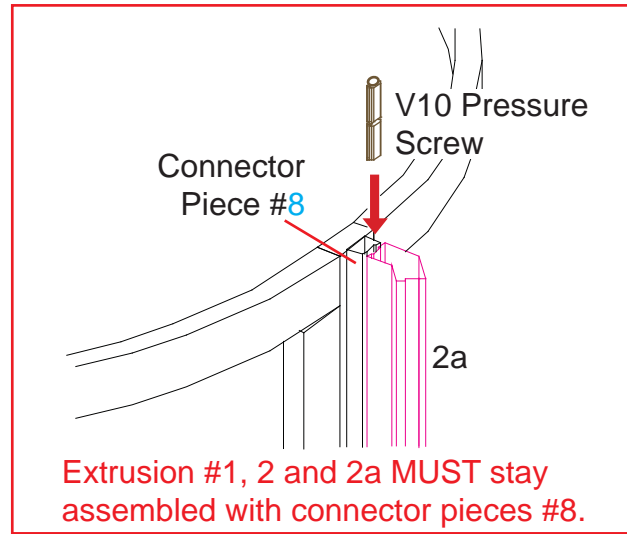
Attach pins to lower inner side of window frame where indicated, then set shelf atop pins.



**WHEN DISASSEMBLING ALUMINUM EXTRUSION, TIGHTEN ALL SETSCREWS AND LOCKS TO PREVENT LOSS DURING SHIPPING**

866.652.2100

Item	Qty.	Description
1	1	47.5" h Lower Connector
2	1	18.5" h Middle Connector
2a	1	30" h Upper Connector
3	1	Base Plate
4	1	47.25" h Lower Connector
5	1	48.5" h Upper Connector
6	1	Base Plate
7	1	47.25" h Lower Connector
8	1	48.5" h Upper Connector
9	1	47.5" h Lower Connector
10	1	18.5" h Middle Connector
10a	1/1	30" h Upper Connector
11a/11b	1/1	38.85" Curve Horizontal Extrusion
12a/12b	1	38.85" Curve Horizontal Extrusion
13	1	28" w Horizontal Extrusion
14	1/1	28" w Horizontal Extrusion
15a/15b	1/1	38.85" Curve Horizontal Extrusion
16a/16b	1/1	38.85" Curve Horizontal Extrusion

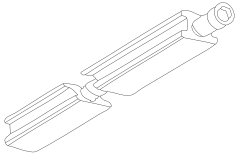


Steps:

- 1) Attach lower vertical extrusions [4 and 7] to base plates [3 and 6].
- 2) Connect vertical extrusions together [4 to 5 and 7 to 8].
- 3) Connect horizontal extrusions together [11a to 11b, 12a to 12b, 15a to 15b and 16a to 16b].
- 4) Attach horizontal extrusions between assembled vertical extrusions as show.
- 5) Apply graphic to back of assembled backwall.

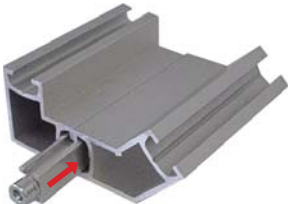
Extrusion #9, 10 and 10a MUST stay assembled with connector pieces #16.

**Pressure Screw**





---

**Example of Pressure Screw Attachment**



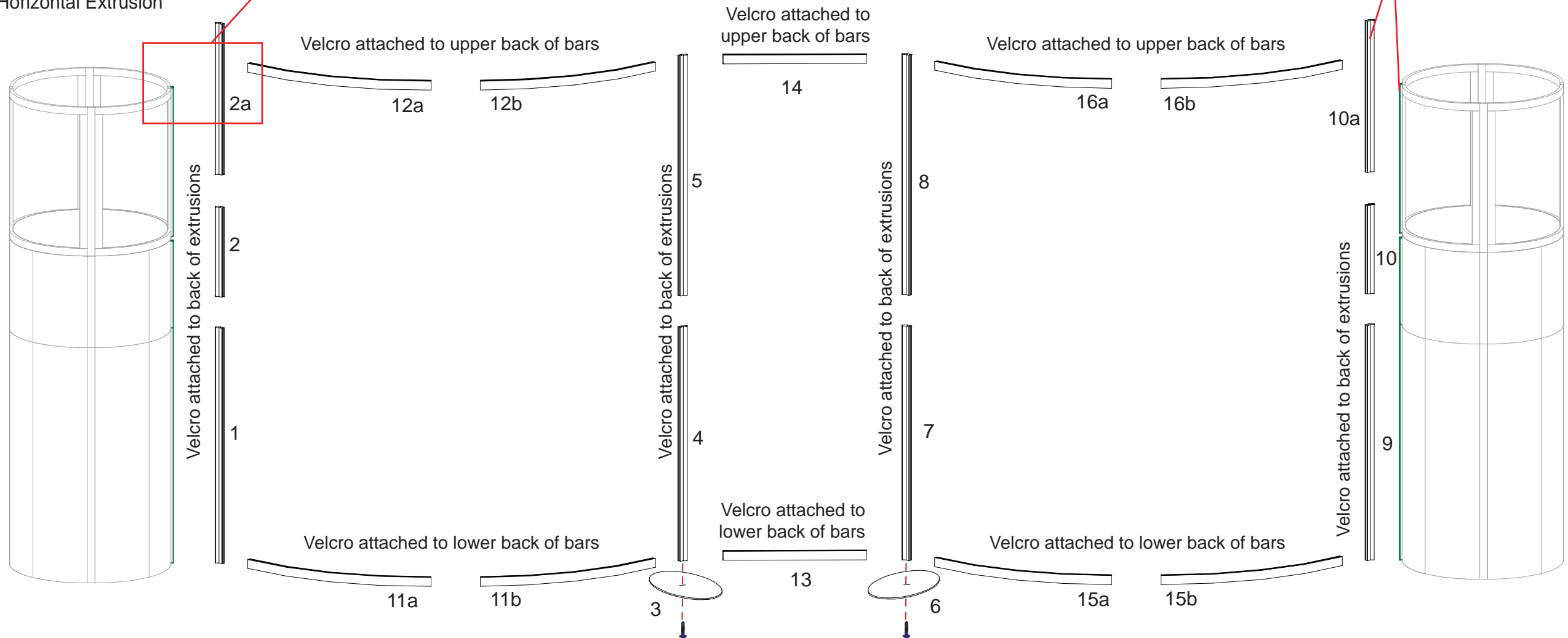
Pressure Screw

---



**Note: V10 Detail**

Slide pressure screw in between grooves of extrusions



**WHEN DISASSEMBLING ALUMINUM EXTRUSION, TIGHTEN ALL SETSCREWS AND LOCKS TO PREVENT LOSS DURING SHIPPING**



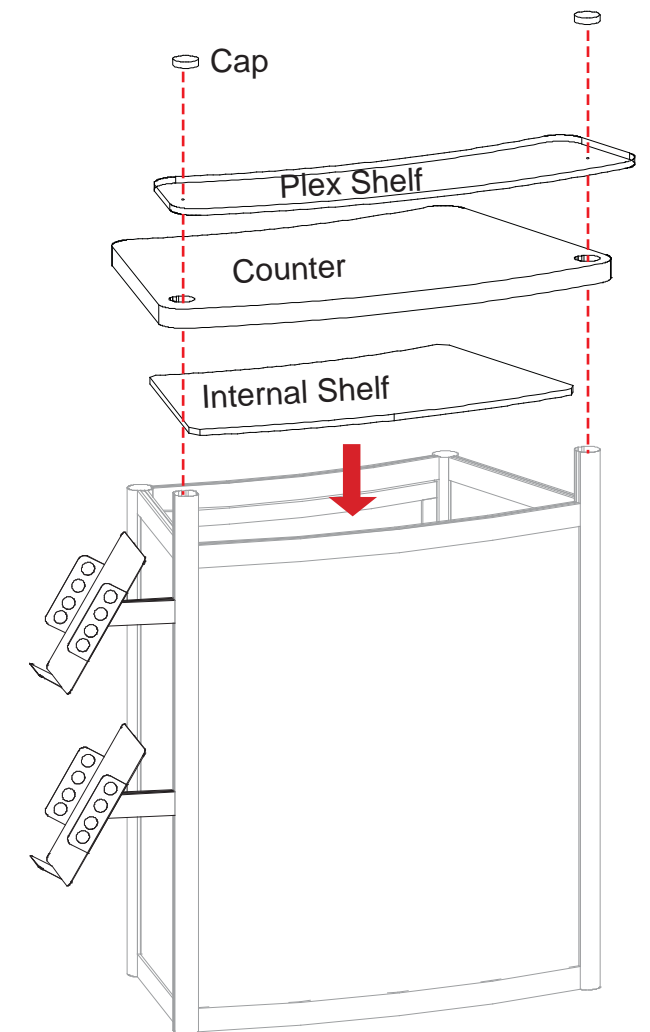
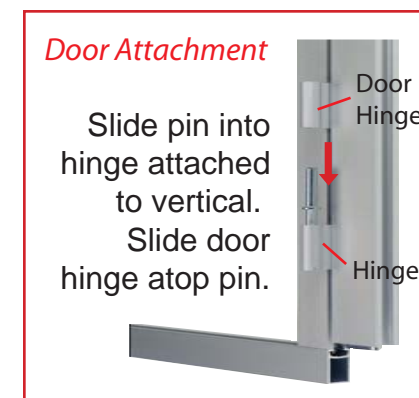
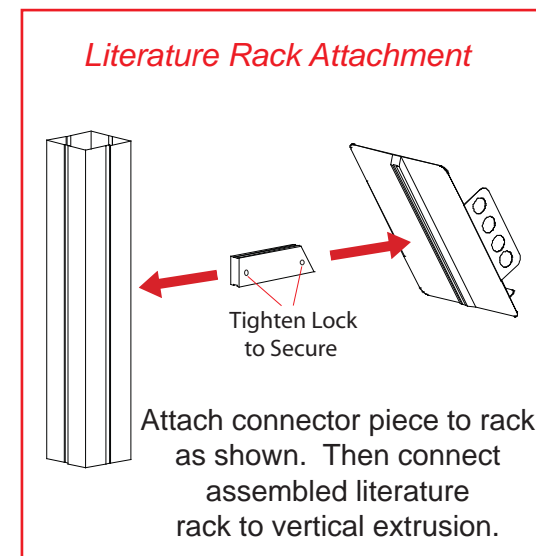
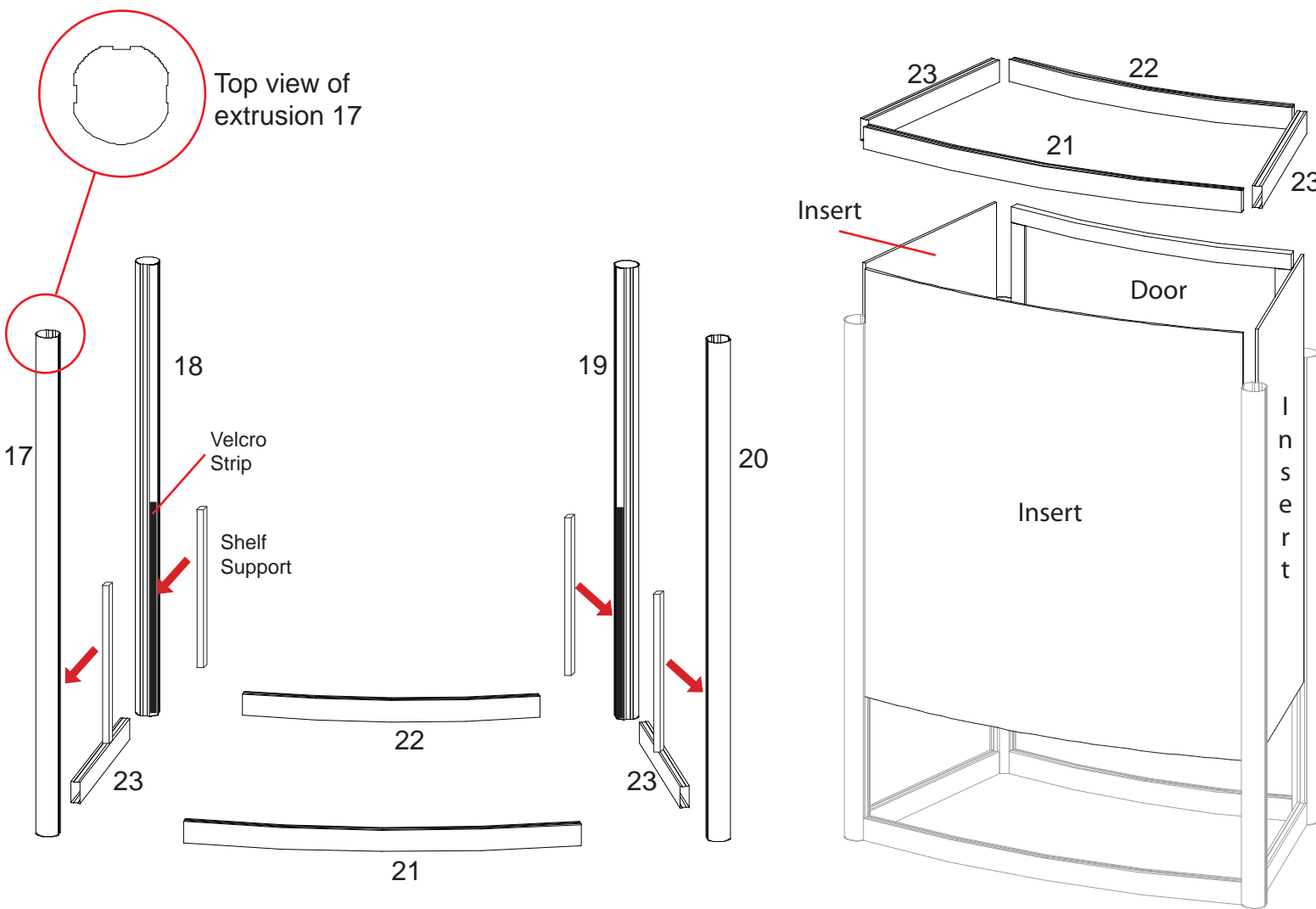
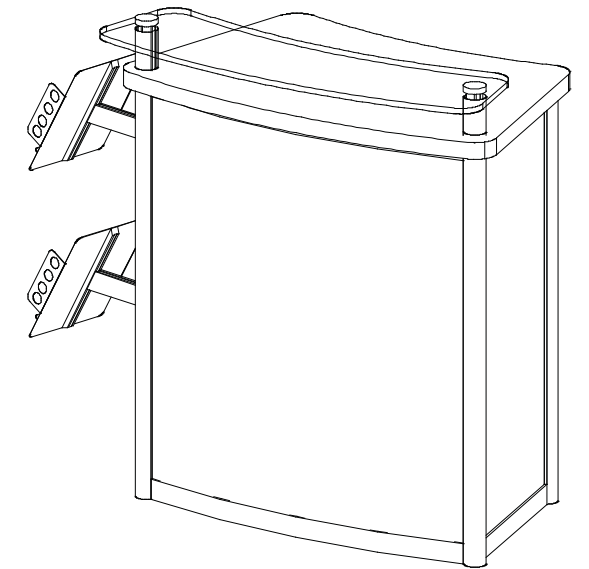
866.652.2100

Item	Quantity	Description
17	1	42”h Round Vertical Extrusion
18	1	38”h Round Vertical Extrusion w/ Door Stopper
19	1	38”h Round Vertical Extrusion w/ Hinges
20	1	42”h Round Vertical Extrusion
21	2	31.85” Curved Horizontal Extrusion
22	2	23.8” Curved Horizontal Extrusion
23	4	16” Horizontal Extrusion

**Steps:**

- 1) Attach lower horizontal extrusions [21, 22 and 23] between vertical extrusions [17, 18, 19 and 20] as shown.
- 2) Place inserts and door where indicated.
- 3) Attach upper horizontal extrusions [21, 22 and 23] between vertical extrusions [17, 18, 19 and 20].
- 4) Velcro internal shelf supports to inside assembled pedestal
- 5) Set internal shelf atop shelf supports
- 6) Slide counter top on vertical extrusions [17 and 20] and rest atop pedestal.
- 7) Attach plex shelf using caps.

**NOTE:** Pedestal must stay assembled when shipping in crate



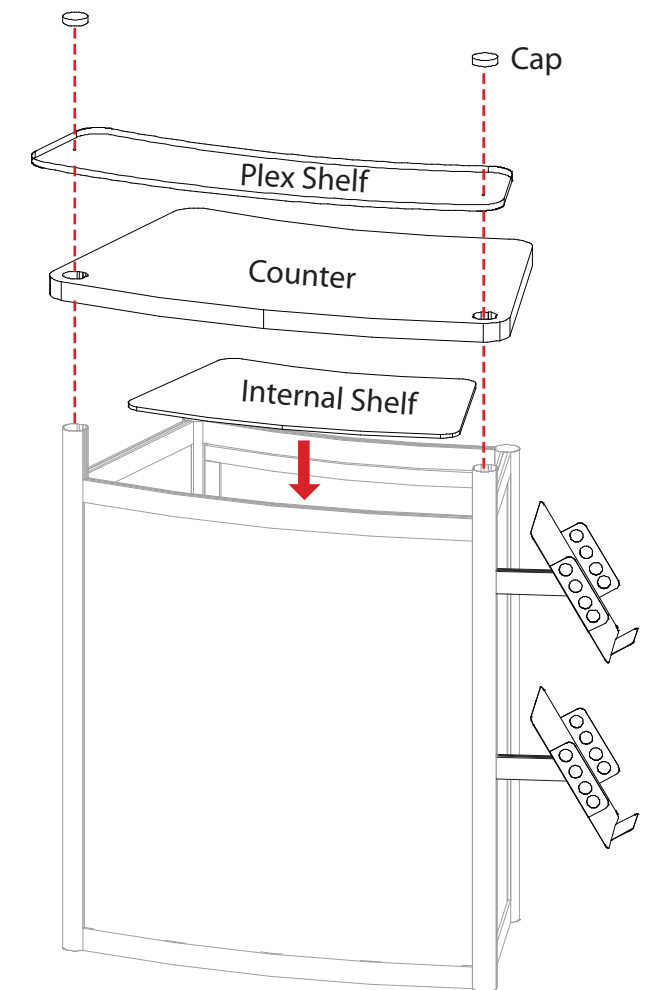
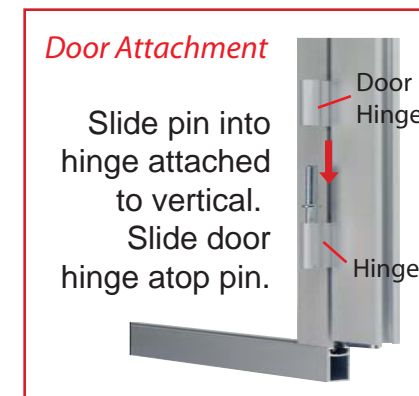
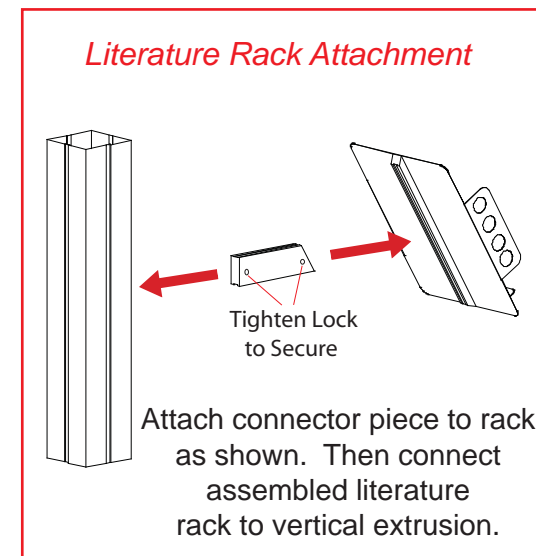
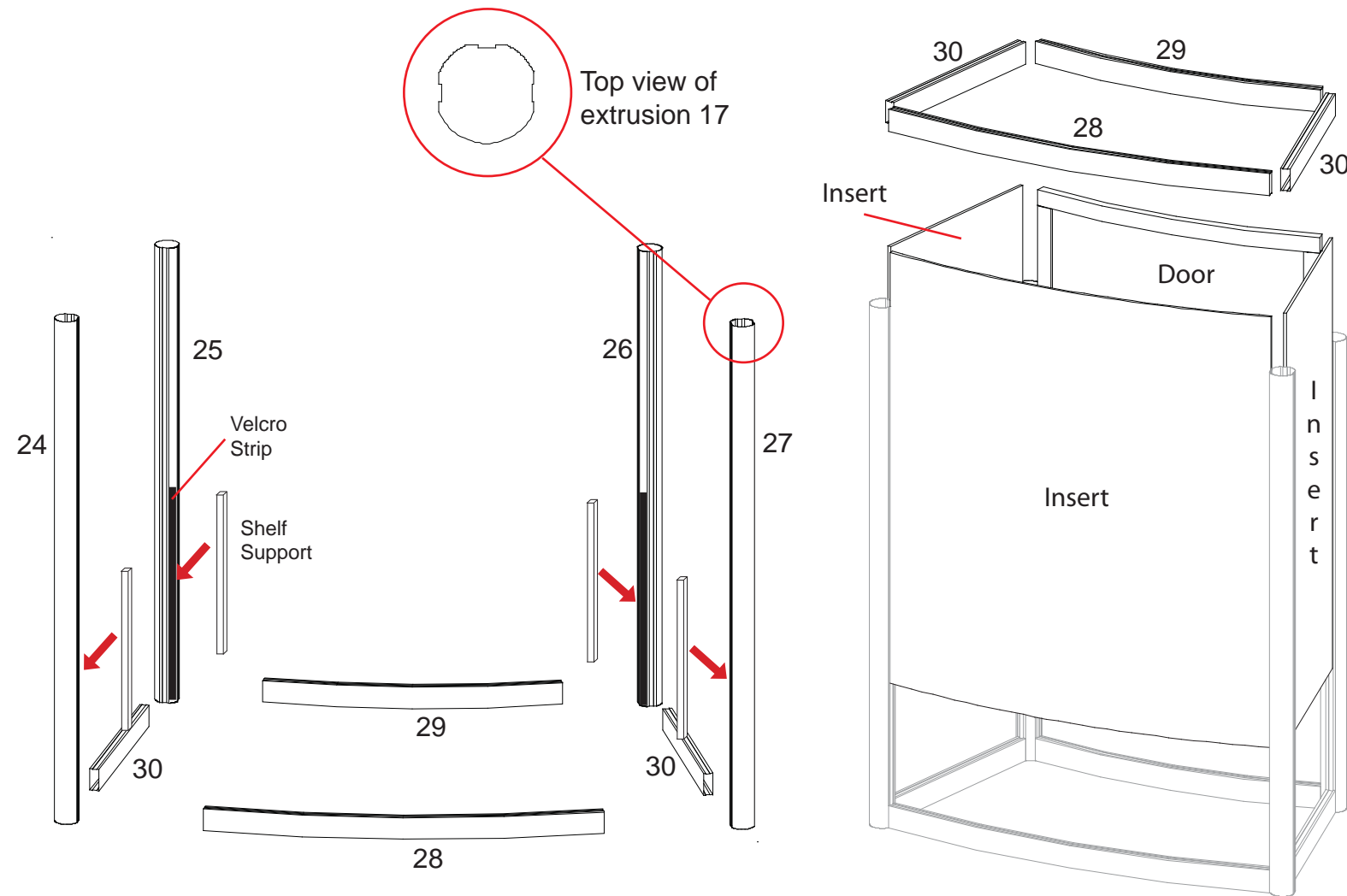
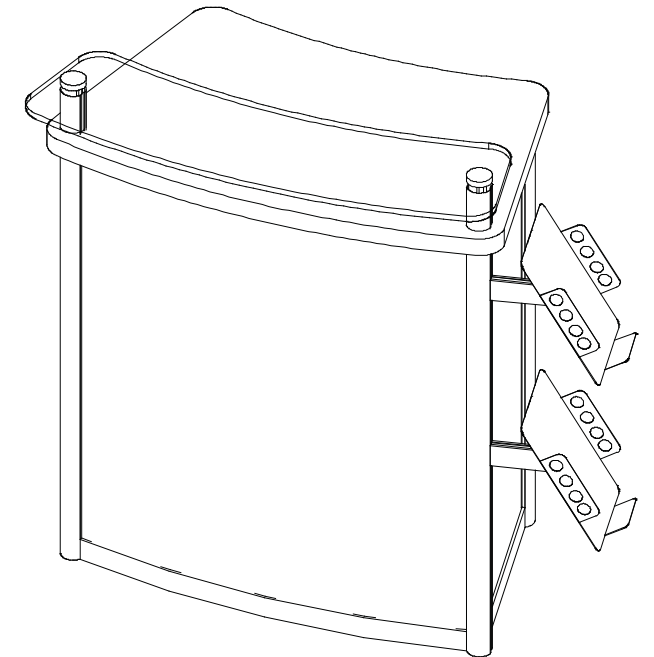
**WHEN DISASSEMBLING ALUMINUM EXTRUSION, TIGHTEN ALL SETSCREWS AND LOCKS TO PREVENT LOSS DURING SHIPPING**

Item	Quantity	Description
24	1	42”h Round Vertical Extrusion
25	1	38”h Round Vertical Extrusion w/ Door Stopper
26	1	38”h Round Vertical Extrusion w/ Hinges
27	1	42”h Round Vertical Extrusion
28	2	31.85” Curved Horizontal Extrusion
29	2	23.8” Curved Horizontal Extrusion
30	4	16” Horizontal Extrusion

**Steps:**

- 1) Attach lower horizontal extrusions [34, 35 and 36] between vertical extrusions [24, 25, 26 and 27] as shown.
- 2) Place inserts and door where indicated.
- 3) Attach upper horizontal extrusions 34, 35 and 36] between vertical extrusions [24, 25, 26 and 27] as shown.
- 4) Velcro internal shelf supports to inside assembled pedestal
- 5) Set internal shelf atop shelf supports
- 6) Slide counter top on vertical extrusions [24 and 27] and rest atop pedestal.
- 7) Attach plex shelf using caps.

**NOTE: Pedestal must stay assembled when shipping in crate**



**WHEN DISASSEMBLING ALUMINUM EXTRUSION, TIGHTEN ALL SETSCREWS AND LOCKS TO PREVENT LOSS DURING SHIPPING**

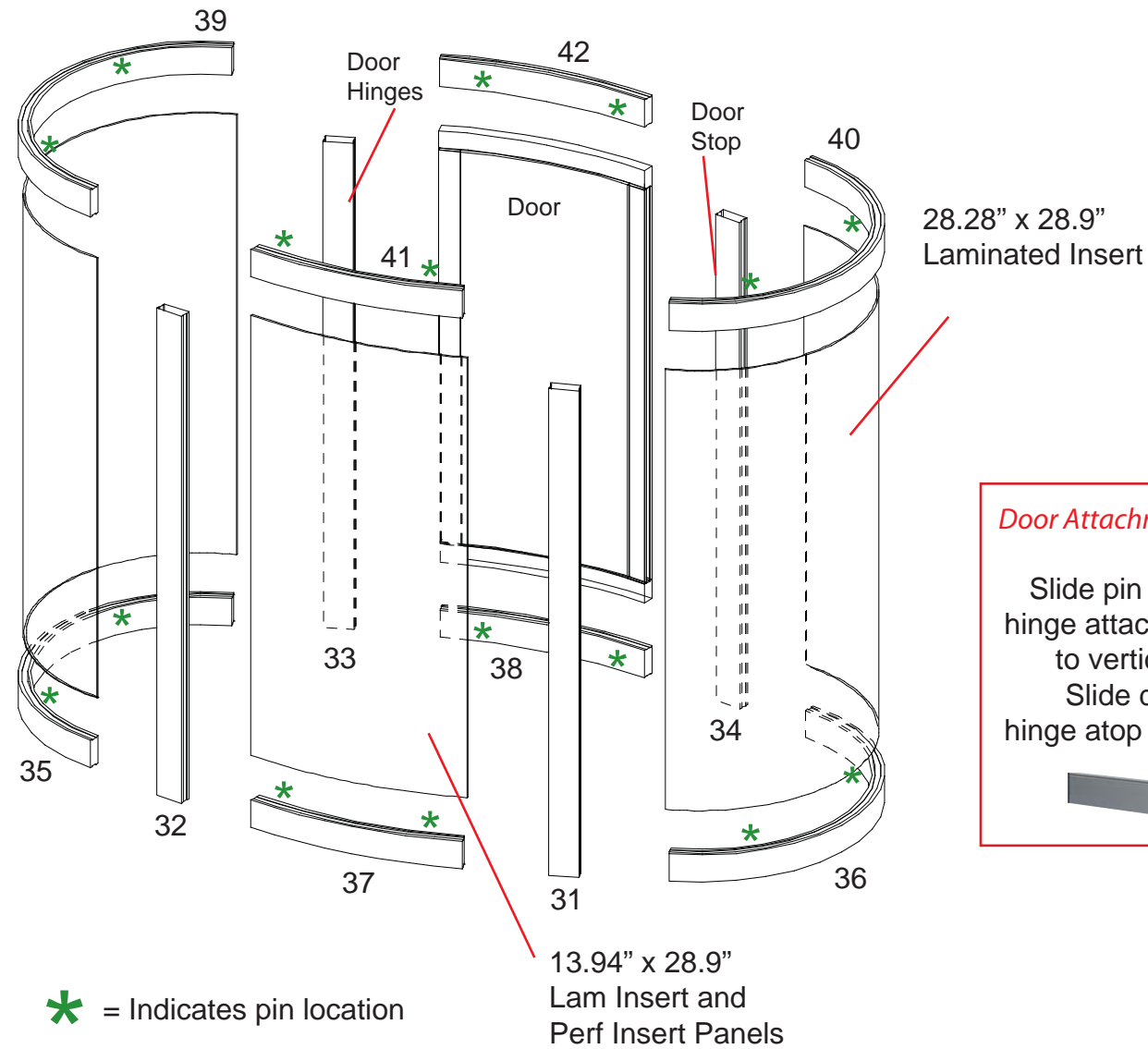


Item	Quantity	Description
31	1	32" h Vertical Extrusion
32	1	32" h Vertical Extrusion
33	1	32" h Vertical Extrusion w/ Door Hinges
34	1	32" h Vertical Extrusion w/ Door Stop
35	1	28.77" Curve Horizontal Extrusion
36	1	28.77" Curve Horizontal Extrusion
37	1	13.6" Curve Horizontal Extrusion
38	1	13.6" Curve Horizontal Extrusion
39	1	28.77" Curve Horizontal Extrusion
40	1	28.77" Curve Horizontal Extrusion
41	1	13.6" Curve Horizontal Extrusion
42	1	13.6" Curve Horizontal Extrusion

Steps:

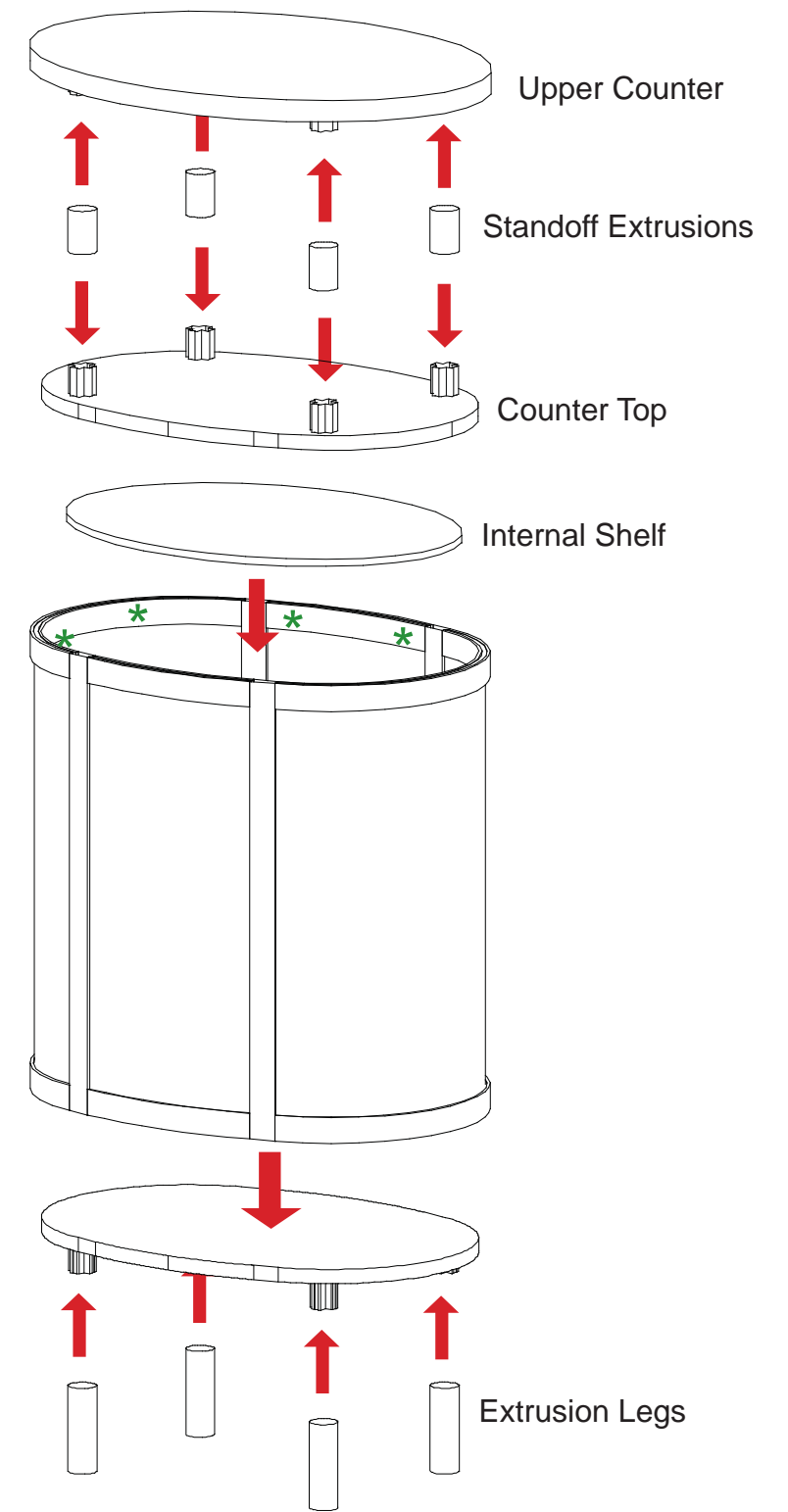
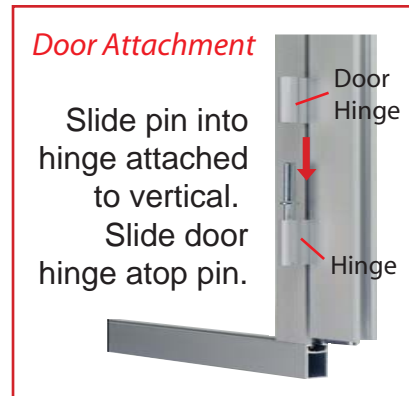
- 1) Attach lower horizontal extrusions [35, 36, 37 and 38] between vertical extrusions [31, 32, 33 and 34] as shown.
- 2) Place inserts and attach door where indicated.
- 3) Attach upper horizontal extrusions [39, 40, 41 and 42] between vertical extrusions [31, 32, 33 and 34] as shown.
- 4) Attach extrusion legs to underside of floor,
- 5) Attach short pins to lower horizontal extrusions where indicated in \*, then place assembled base on floor.
- 6) Velcro shelf supports to inside of assembled base, then set shelf atop supports.
- 7) Connect 2 counters together using standoff extrusions.
- 8) Attach short pins to upper horizontal extrusions where indicated in, then place assembled counters atop pins.

**NOTE: Pedestal must stay assembled when shipping in crate**

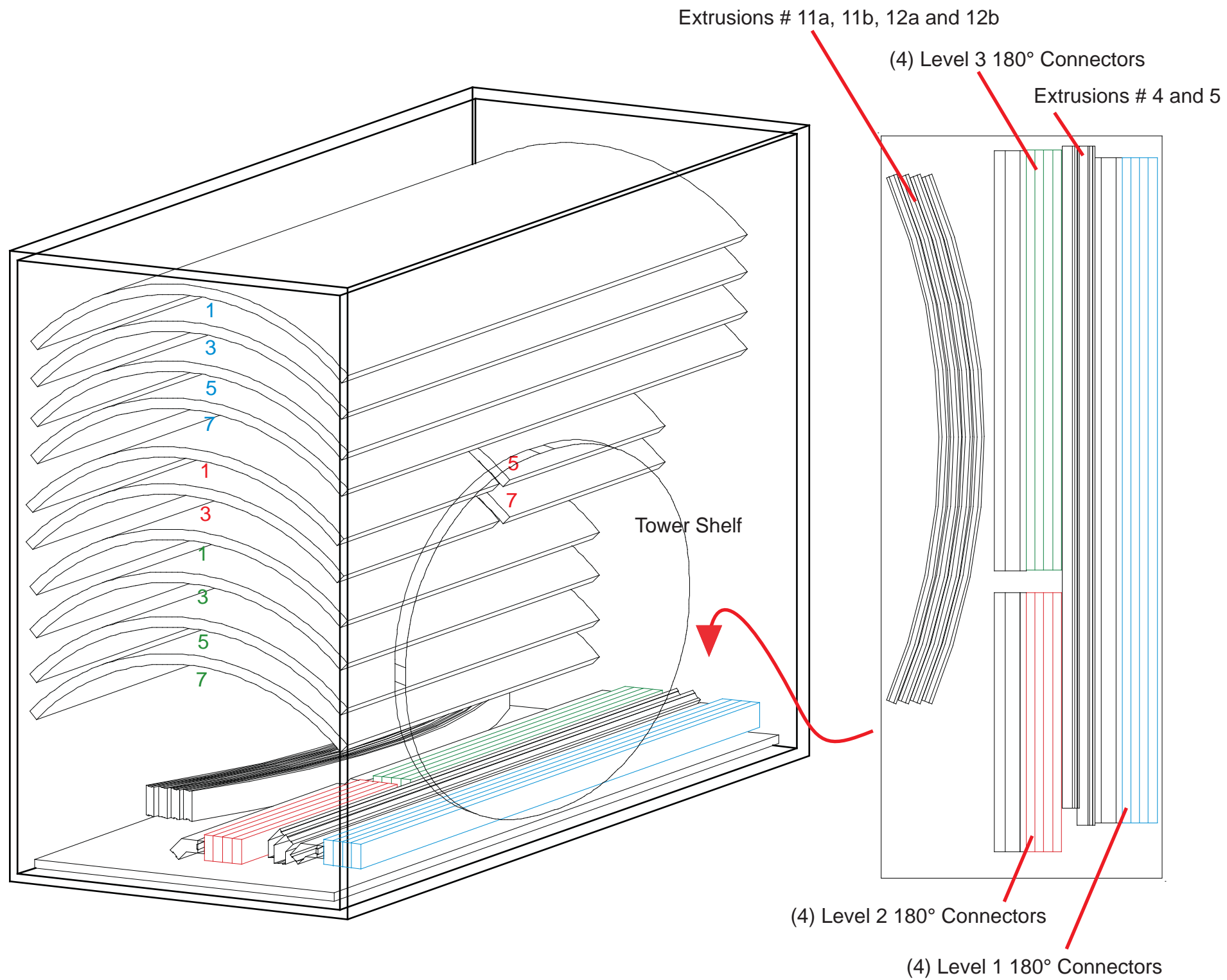


\* = Indicates pin location

13.94" x 28.9" Lam Insert and Perf Insert Panels

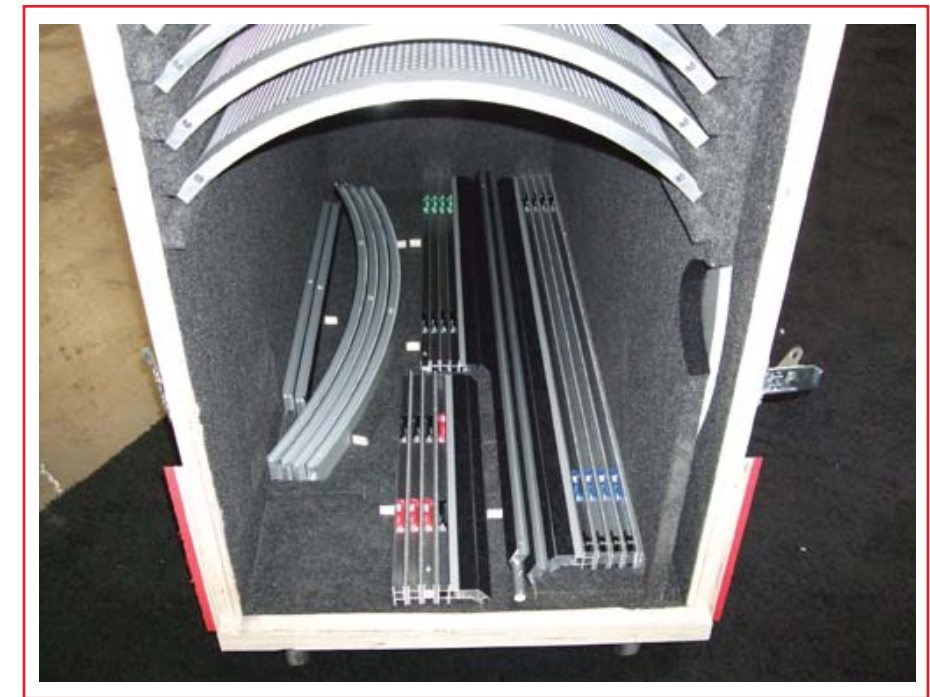
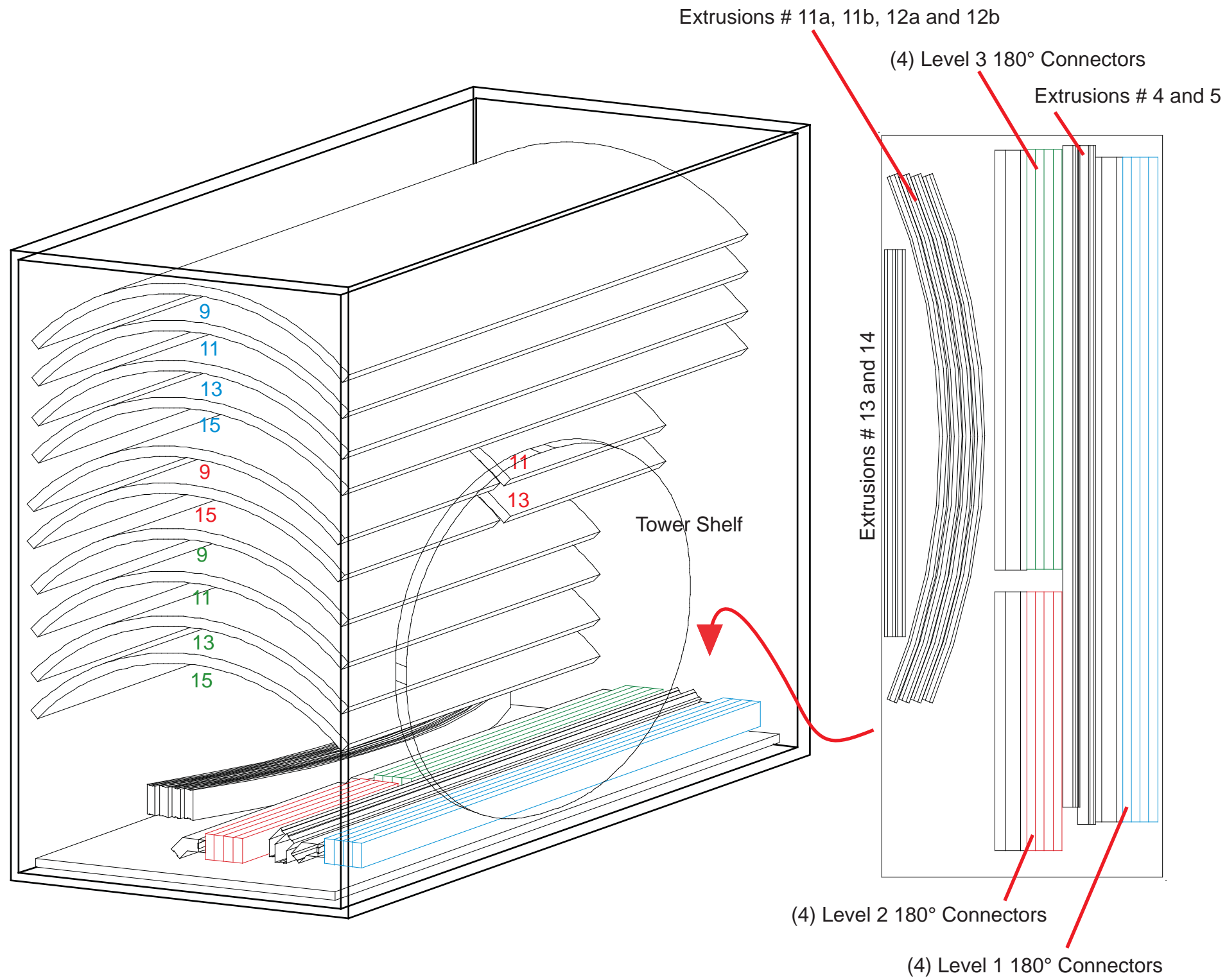


**WHEN DISASSEMBLING ALUMINUM EXTRUSION, TIGHTEN ALL SETSCREWS AND LOCKS TO PREVENT LOSS DURING SHIPPING**



WHEN DISASSEMBLING ALUMINUM EXTRUSION, TIGHTEN ALL SETSCREWS AND LOCKS TO PREVENT LOSS DURING SHIPPING





WHEN DISASSEMBLING ALUMINUM EXTRUSION, TIGHTEN ALL SETSCREWS AND LOCKS TO PREVENT LOSS DURING SHIPPING



Pedestals must stay assembled when shipping.

WHEN DISASSEMBLING ALUMINUM EXTRUSION, TIGHTEN ALL SETSCREWS AND LOCKS TO PREVENT LOSS DURING SHIPPING